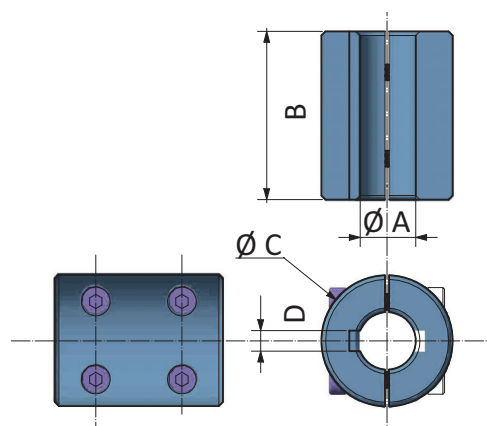
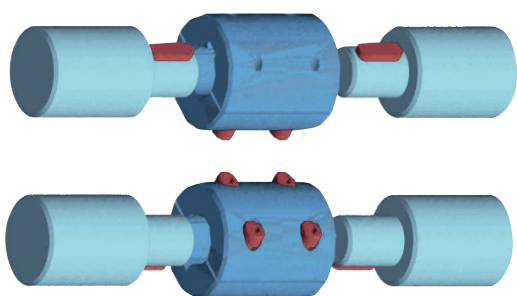




COUPLING BUSHES KUPPLUNGSBÜCHSEN

2 piece bushings with screw to couple gearboxes and shafts
 Kupplungsbüchsen zur Kupplung mit Winkelgetriebe und Welle

DIMENSIONS TABLE - ABMESSUNGSTABELLE



VERSIONS AUSFÜHRUNGEN	BORE BOHRUNG Ø A	LENGTH LÄNGE B	Ø EXTERNAL Ø EXTERN Ø C	KEYWAY NUT D
BT6	6	21	14	=
BT8	8	29	22	=
BT10	10	31	24	3
BT14	14	41	32	5

PART NR. CONFIGURATION - BESTELLMUSTER:

BT8

VERSION - AUSFÜHRUNG

- BT6** (bore - Bohrung ø6)
- BT8** (bore - Bohrung ø8)
- BT10** (bore - Bohrung ø10)
- BT14** (bore - Bohrung ø14)