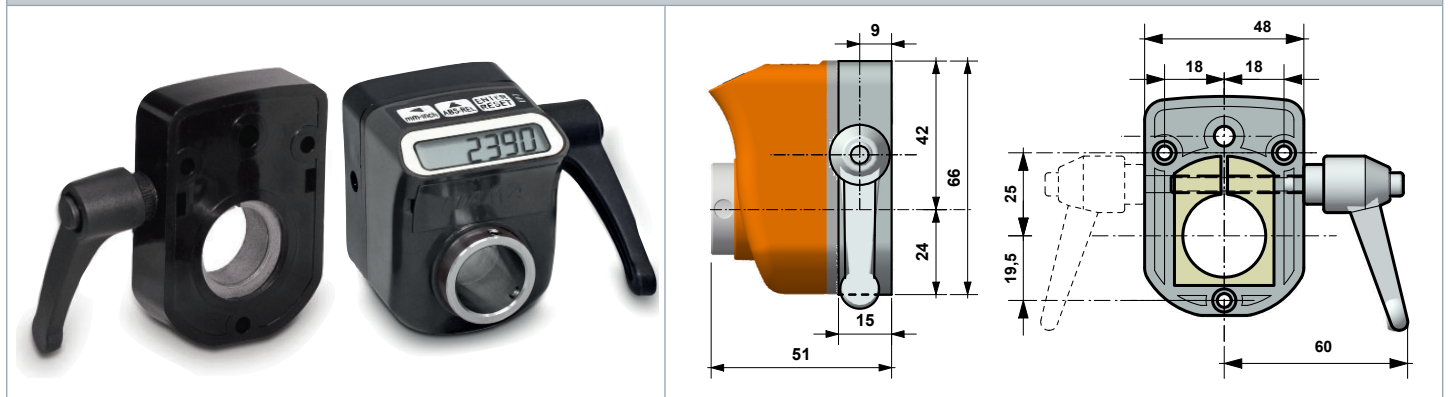


FL-B EP7



Shaft block flange with aluminum locking element for model EP7 - *Klemmflansche mit Aluminium Klemmelement für Positionsanzeige EP7.*

PART NR. CONFIGURATION - BESTELLMUSTER

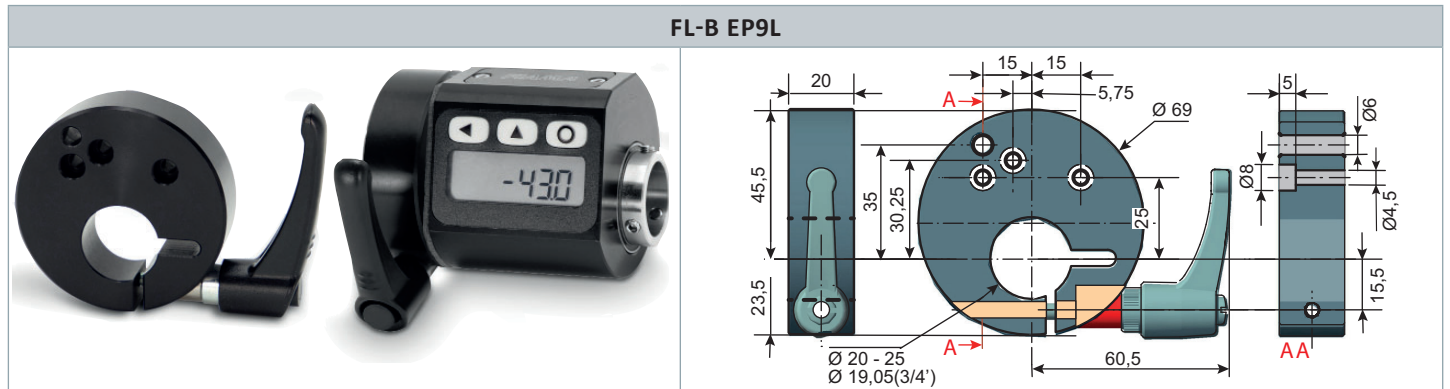
FLB-EP7 F20

HOLLOW SHAFT - HOHLWELLENDURCHMESSER

FLB-EP7 F14 = Ø14

FLB-EP7 F20 = Ø20

altri fori con bussole di riduzione **BF-BL** (vedi p. 32) - *other bores with reducing bushes BF-BL*



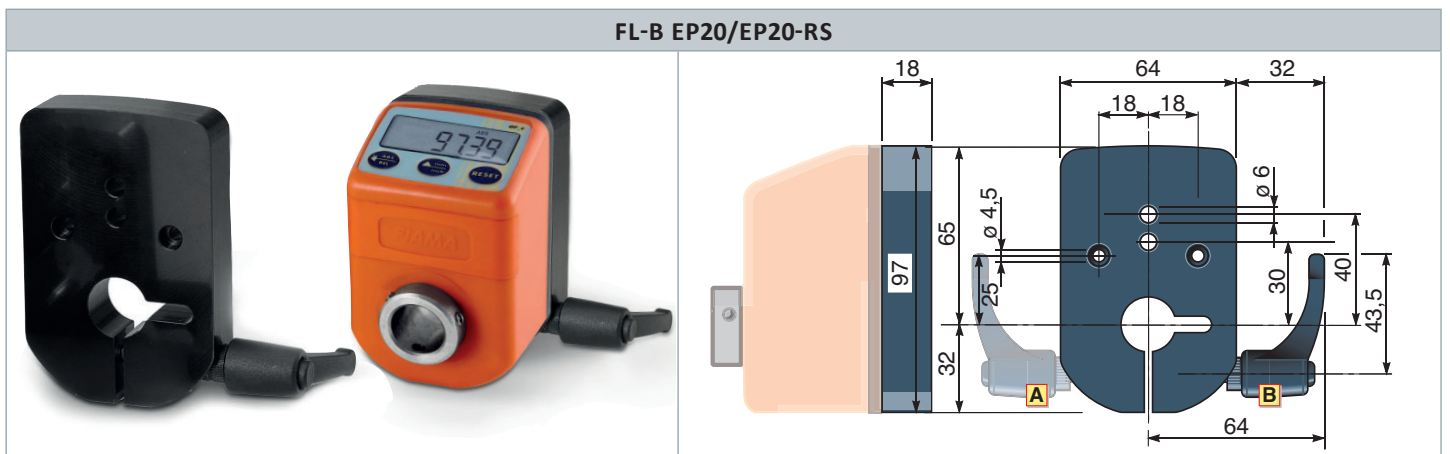
Shaft block flange in anodized aluminum for indicator model EP9L - *Klemmflansche in eloxiertem Aluminium für programmierbare Anzeige EP9L.*

PART NR. CONFIGURATION - BESTELLMUSTER

FLB-EP9 F20

HOLLOW SHAFT - HOHLWELLENDURCHMESSER

FLB-EP9 F20 = Ø20; F25 = Ø25; F3/4' = Ø19,05



Shaft block flange in aluminum for indicator model EP20-EP.RS20 - *Klemmflansche in Aluminium für Positionsanzeige EP-EP.RS20.*

PART NR. CONFIGURATION - BESTELLMUSTER

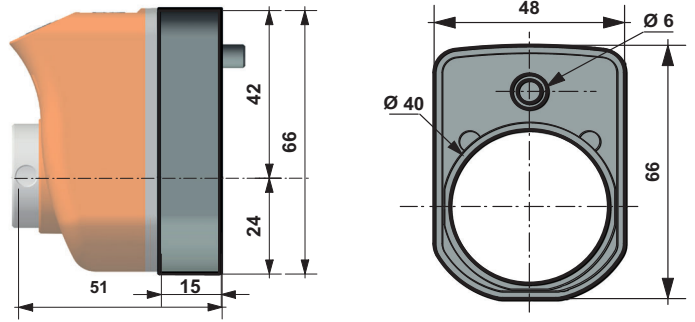
FLB-EP20 F20

DIAMETRO ALBERO CAVO - HOLLOW SHAFT

FLB-EP20 F20 = Ø20

altri fori con bussole di riduzione **BF-BL** - *other bores with reducing bushes BF-BL*

FL-EP7



Spacer flange in plastic for programmable indicator model EP7 - Flansch-Adapter für programierbare Anzeige EP7.

PART NR. CONFIGURATION - BESTELLMUSTER

FL-EP7 F20

HOLLOW SHAFT - HOHLWELLENDURCHMESSER
FL-EP7 F20 = Ø20

BF		BF-BL																																							
<table border="1"> <thead> <tr> <th>De</th> <th colspan="8">Di</th> </tr> <tr> <th>(Ø albero - shaft)</th> <th colspan="8">(Ø riduzione - reduction)</th> </tr> </thead> <tbody> <tr> <td>20</td> <td>10</td> <td>12</td> <td>14</td> <td>15</td> <td>16</td> <td>17</td> <td>18</td> <td></td> </tr> </tbody> </table>		De	Di								(Ø albero - shaft)	(Ø riduzione - reduction)								20	10	12	14	15	16	17	18		<table border="1"> <thead> <tr> <th rowspan="2">EP7 EP20</th> <th colspan="5">DIAMETRO - DIAMETER "Di"</th> </tr> </thead> <tbody> <tr> <td>14,1</td> <td>15,1</td> <td>16,1</td> <td>17,1</td> <td>18,1</td> </tr> </tbody> </table>		EP7 EP20	DIAMETRO - DIAMETER "Di"					14,1	15,1	16,1	17,1	18,1
De	Di																																								
(Ø albero - shaft)	(Ø riduzione - reduction)																																								
20	10	12	14	15	16	17	18																																		
EP7 EP20	DIAMETRO - DIAMETER "Di"																																								
	14,1	15,1	16,1	17,1	18,1																																				

Plastic reducing bushes for hollow shaft and for shaft block flange - Reduzierbüchsen für Hohlwellen und Klemmflanschen in Kunststoff

PART NR. CONFIGURATION - BESTELLMUSTER

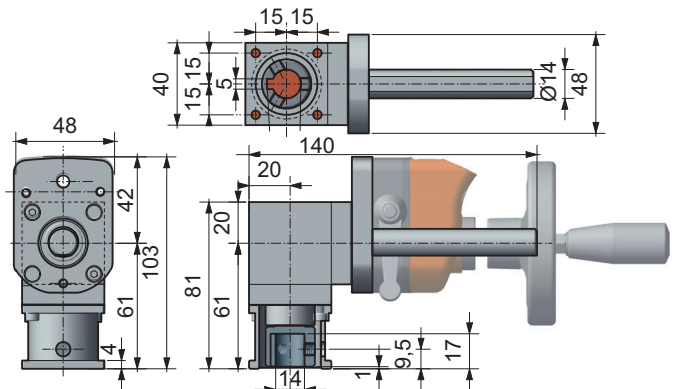
20/14 D14

20/18 D18

MODEL - MODELL
BF: 20/D18 - D17 - D16 - D14 - D12 - D10

MODEL - MODELL
BF-BL: 20/D18 - D17 - D16 - D15 - D14

RINV-OP65



Allows a visualized adjustment, angular or linear, even if the shaft is in an uncomfortable position (info on website/catalogue "angular gearboxes").
Erlaubt eine sichtbare Regulierung auch in einer unbequemen Position. Weitere Infos im Katalog und / oder auf unsere Website in „Winkelgetriebe“.

PART NR. CONFIGURATION - BESTELLMUSTER

RINV-OP65 1:1

RATIO - ÜBERSETZUNG
1:1 - 1:2 - 2:1

PM-EP7		PM-EP20-EP25	

Movement knob in anodized aluminium for EP7 - EP20 - Drehknopf in eloxiertem Aluminium für EP7 - EP20.


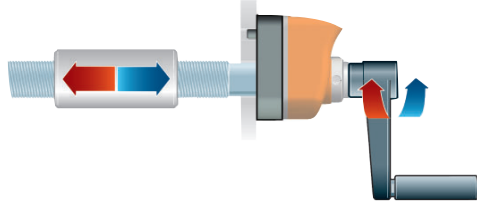
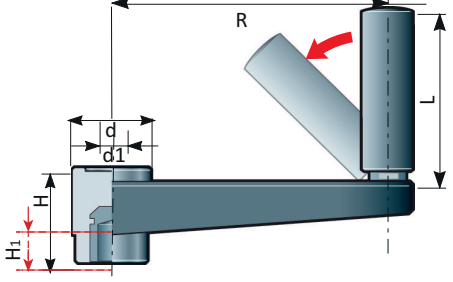
PART NR. CONFIGURATION - BESTELLMUSTER

PM-EP7

MODEL - MODELL

PM-EP7 - PM-EP20 - PM-EP25

	V.M.					
	TYPE - TYP	DIMENSIONS - ABMESSUNGEN				
	R	H	d	d1	L	H1
V.M-65	65	29	27	Ø10	56	20
V.M-110	110	39	34	Ø12	76	28
V.M-140	140	49	43	Ø14	86	30

Crank handle with folding handle - thermoplastic material, steel bush.
Kurbel mit Umlegegriff - thermoplastisches Material mit Stahl-Büchse.


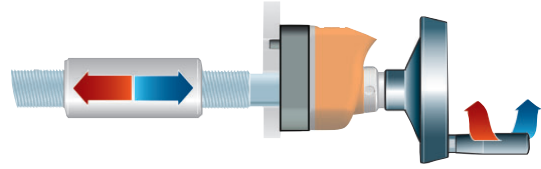
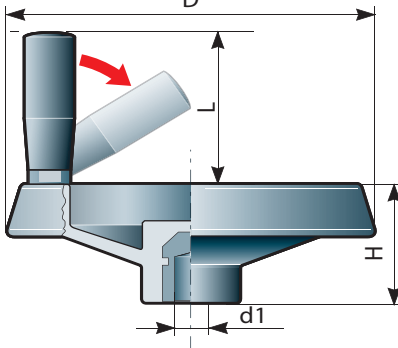
PART NR. CONFIGURATION - BESTELLMUSTER

V.M-110

MODEL - MODELL

V.M-65 - V.M-110 - V.M-140

	V.R.			
	TYPE - TYP	DIMENSIONS - ABMESSUNGEN		
	R	H	d1	L
V.R-80	80	34	Ø10	56
V.R-130	130	50	Ø12	76
V.R-160	160	56	Ø14	86

Control handwheel with folding handle - thermoplastic material, steel bush.
Handrad mit Umlegegriff - thermoplastisches Material mit Stahl-Büchse.

PART NR. CONFIGURATION - BESTELLMUSTER

V.M-130

MODEL - MODELL

V.R-80 - V.R-130 - V.R-160