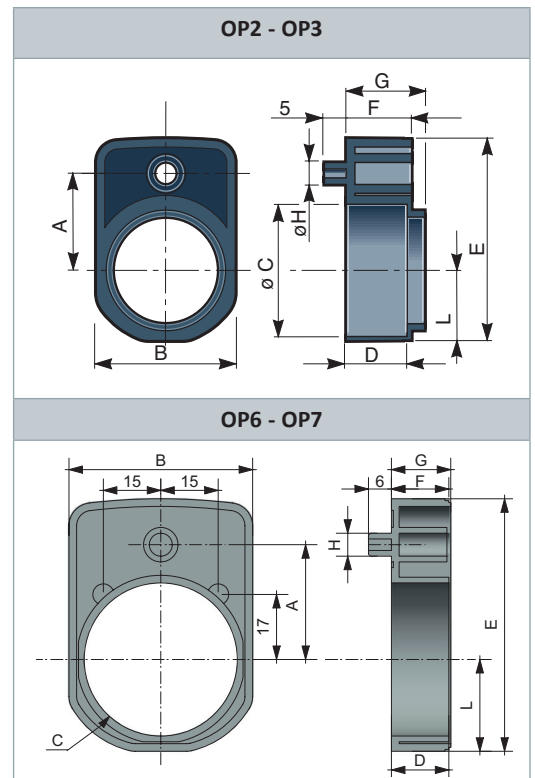


SPACER FLANGE - in shock-proof technopolymer
FLANSCH ADAPTER - in stossfestem Technopolymer

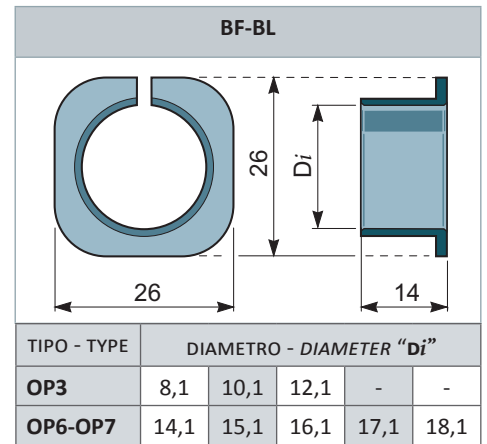


TYPE - TYP	DIMENSIONS - ABMESSUNGEN								
	A	B	C	D	E	F	G	H	L
OP2	22	23	18	5,5	38	7	8	6	10,5
OP3	22	32	30	14	46	15	18	5	16
OP6 / OP7	30	48	40	15	66	15	15,5	6	24



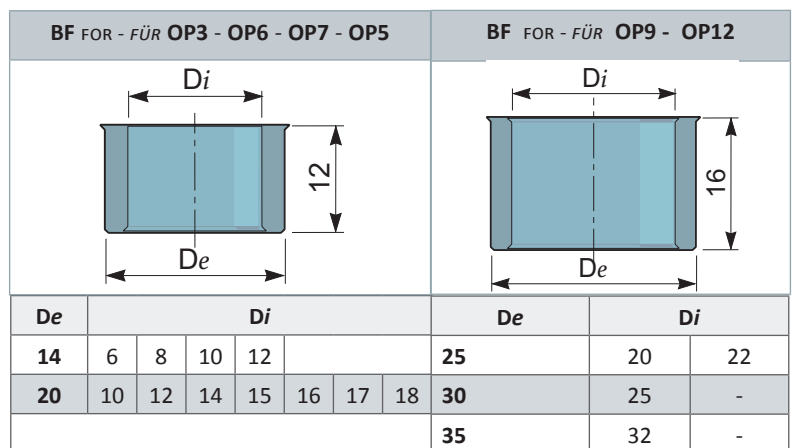
BF-BL

REDUCING BUSHES FOR SHAFT BLOCK FLANGE - in technopolymer
REDUZIERBÜCHSEN FÜR WELLENKLEMMFLANSCH - in Technopolymer



BF

REDUCING BUSHES FOR OP - in technopolymer
REDUZIERBÜCHSEN FÜR OP - in Technopolymer



De = Ø hollow shaft - Hohlwelle
 Di = Ø reducing - Reduzierung