

POTENTIOMETRIC WIRE TRANSDUCER MODEL PF_



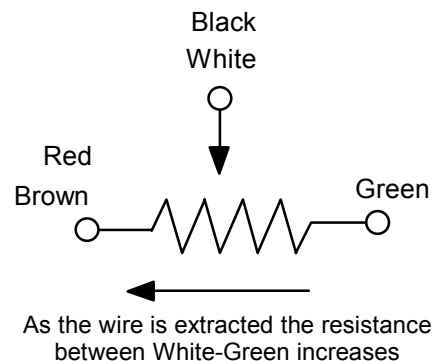
Description

The PF_ is a potentiometric position wire transducer which converts a linear displacement into a resistance change.

It consists of a rotating precision potentiometer operated by the winding and unwinding of a stainless steel wire. Transducers with a maximum travel 60, 100, 200, 300 and 700 mm are available.

Combined with a electronic display unit (e.g. the 4 digit V4P model or the 5 digit VE6P model), it constitutes an simple but effective system for measuring linear displacements on machine tools, marble, glass and wood working machinery etc., to a degree of resolution of ± 0.1 mm.

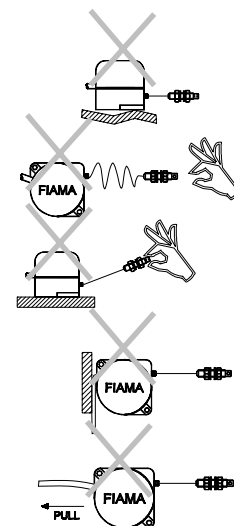
Connection :



Assembling precautions



- ◆ The incremental wire transducer must be mounted on a level surface.
- ◆ Do not release the wire of the transducer too rapidly.
- ◆ Do not over-tighten the fastening screws so as not to deform the housing.
- ◆ Avoid bending or distorting the wire.
- ◆ Always pull the wire along its own axis and avoid misalignments exceeding 2° .
- ◆ Do not exceed the maximum travel of the wire.
- ◆ For electrical connections always use a shielded cable, keeping it separate from power lines or sources of electromagnetic interference.
- ◆ Do not squeeze or pull the feed cable.
- ◆ Make the electrical connections with due care and attention: a failure due to a connection error renders the guarantee null and void.



VERSION	MAX. TRAVEL	RESISTANCE	LINEARITY	Number of cycles	Scale span with V4P display unit
PF50	63 mm	10 Kohm	$\pm 0,25\%$	500.000	$\pm 0 \div 60,0$ mm
PF60	63 mm	10 Kohm	$\pm 0,25\%$	500.000	$\pm 0 \div 60,0$ mm
PF100	103 mm	10 Kohm	$\pm 0,25\%$	500.000	$\pm 0 \div 100,0$ mm
PF200	210 mm	10 Kohm	$\pm 0,25\%$	400.000	$\pm 0 \div 200,0$ mm
PF300	310 mm	10 Kohm	$\pm 0,25\%$	400.000	$- 200,0 \div 300,0$ mm
PF500	510 mm	10 Kohm	$\pm 0,25\%$	300.000	$- 200,0 \div 500,0$ mm
PF700	710 mm	10 Kohm	$\pm 0,25\%$	300.000	$- 200,0 \div 700,0$ mm
PF900	910 mm	10 Kohm	$\pm 0,25\%$	300.000	$- 200,0 \div 700,0$ mm

Technical Characteristics

- ◆ Maximum speed 1 m/s
- ◆ Degree of protection IP54
- ◆ Colour RAL 7004 Grey
- ◆ Temperature of operation $-10 - 70^\circ\text{C}$
- ◆ Relative humidity 10 - 90%
- ◆ Weight 80 gr.
- ◆ Technopolymer, blow-resistant, self-exting.housing resistant to solvents, petrol, oils & grease.
- ◆ Output with 3-pole 2-metre-long screened cable
- ◆ Directive: 2014/30/EU Electromagnetic compatibility, 2011/65/EU RoHS